

Quick Guide Door Phone

Please read the User Guide for complete instruction.

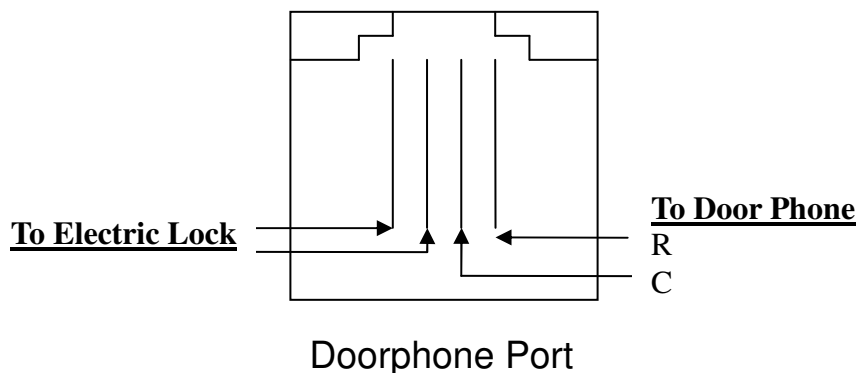
- Keep this leaflet for future reference

Connection of Door Phone

1. You can connect a maximum two door phones (optional, but available from Circle Communication Products) to the Main Control Unit (WMC).
2. Each door phone is connected with a pair twisted cable.
3. Make sure that R and C of the door phone are connected to the pin assignment to each as shown in the following diagram (a sample cable is provided as reference).

Connection of Door Lock

1. Up to two electric locks can be connected to WMC (door phone version).
2. The maximum applied voltage should be 24 VDC or less.
3. The maximum applied current should be 0.5A or less.
4. The connection is made using a standard RJ11 connector with the pins assignment as per the following diagram. (a sample is provided as reference)



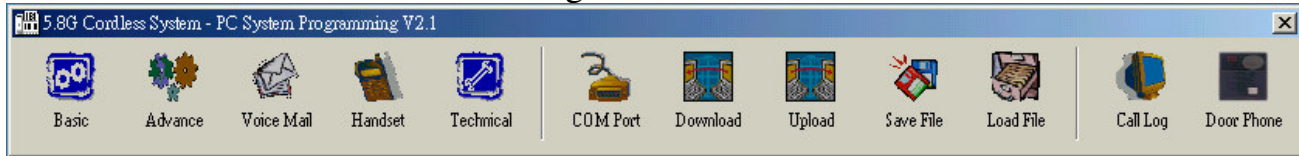
MENU → System Config → door phone

1 st Row	E x t A n s w e r D o o r -
2 nd Row	P h o n e
3 rd Row	1) E x t 0
	2) E x t 1
	3) E x t 2
	4) E x t 3
4 th Row	B A C K N E X T O K

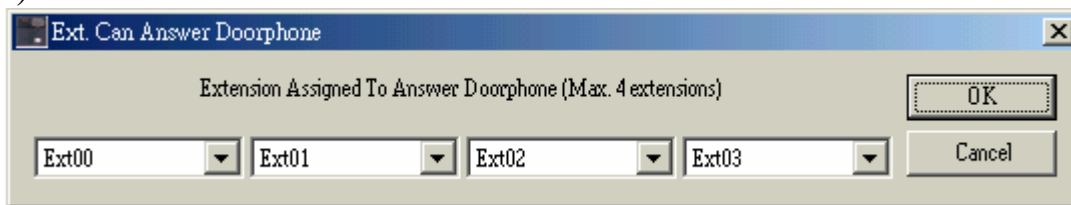
A Maximum of four extensions are allowed to be assigned in answering a door. Press the up/down arrow to change extension no. Press **NEXT** for next extension assignment.

Set up via PC

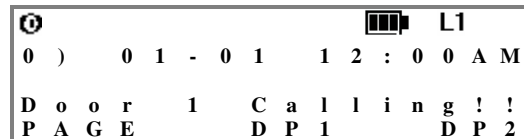
Click Menu Bar for Door Phone Setting



Select extension assigned to answer door phone (maximum of four extensions allowed).



Door phone Call Pick Up



Pick up handset (for WDE) or Press the **TALK** key (for WHE) or Soft Key **DP1** / **DP2** which will be automatically appear on the soft key bar

Hang up (for WDE) or press the **END** Key (for WHE) to disconnect when call finished.

Note:

The line will automatically disconnected if no one picks up the call.

Only one door phone can be used at a time.

Door lock Control

Upon answering the door phone call, press ***** key or soft key **DP1** / **DP2** to **open the corresponding Door Lock**